

**EVERDIGM** Attachment

# Compactor



**Tools that make people move**

Hydraulic Compactor Series  
Turning your job into more value!



● **Compactor**

## Features and benefits

### Easy and versatile mounting

Direct Mount frame : The pin-on type frame is designed to accept a variety of slip-fit bushings and pins, resulting in versatile installation on any carrier that does not require OEM's pin-topin distance

### Single hose block

All hoses are routed within the frame and connected to a mono hose block located on the back. It keeps the hoses from easy damage

### Cushion rubber

Specially designed cushion rubbers protect machine and operator from vibrations

### Heavy duty gear motor

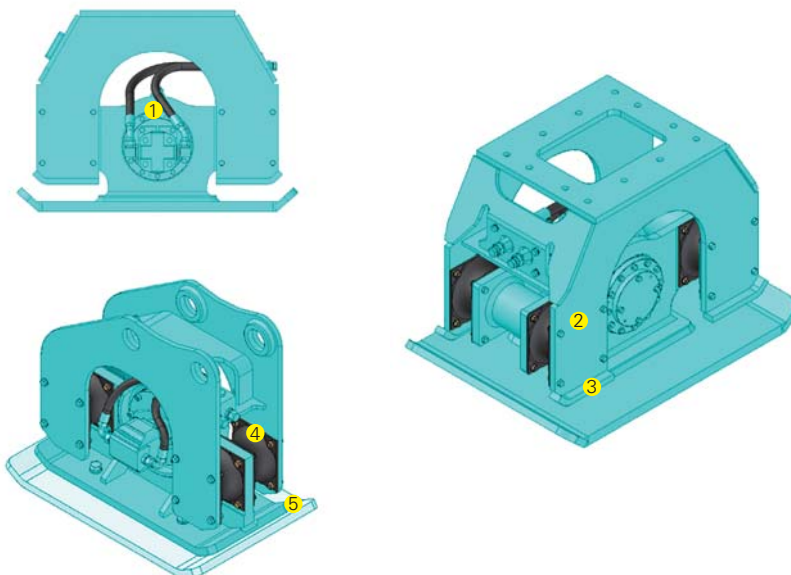
Heavy duty and high efficiency gear motor with splined shaft and high pressure motor seals prevent easy damage caused by pressure shock during startup and shutdown

### Self-aligning bearing

Self-aligning double row spherical roller bearing provides a long service life to rotating components

### Easy of maintenance

All grease fittings are located for easy access



### 1. Oil bath type

Compaction weight chamber is filled with gear oil, thus, it eliminates periodical greasing & oil changing interval is now changed to 1 year

### 2. Durable frame design

durability of main body is increased by flat and solid frame

### 3. Stopper

It limits excessive pressing force from excavator

### 4. Wider cushion rubber for EPC05

It increases the durability of cushion rubber

### 5. Additional compacting plate

Additional compacting plate can be supplied as an option when it requires

## Specifications

Item	Unit	EPC05 NarrowType (Standard)	EPC05 GeneralType (Option)	EPC10	EPC15	EPC20	EPC30
Impulse force	tonnes	2.1	2.1	4.0	6.4	11.2	17.3
Weight 1)							
Adapter mount type	kg	260	280	430	689	1,094	1,502
Direct mount type	kg	264	344				
Height(H)							
Adapter mount type	mm	650	675	640	750	840	943
Direct mount type	mm	695	720				
Width(W)	mm	320	500	610	740	860	1,000
Base plate(W X L)							
Dimension	mm	320 x 745	500 x 800	610 x 900	740 x 1,050	860 x 1,200	1,000 x 1,300
Compaction area	m <sup>2</sup>	0.24	0.40	0.55	0.78	1.03	1.30
Oil flow required	lpm	45 - 65	45 - 65	50 - 120	80 - 170	110 - 200	160 - 250
Max. cycle per minute	rpm	2,100	2,100	2,000	2,000	2,000	2,000
Operating pressure							
Free load	bar	30 - 50	30 - 50	30 - 50	30 - 50	30 - 50	30 - 50
With load	bar	100 - 220	100 - 220	100 - 138	100 - 138	100 - 138	100 - 138
Applicable carrier weight	tonnes	4 - 6	4 - 6	6 - 10	11 - 16	17 - 25	26 - 40

1) Including standard mounting adaptor, excluding hydraulic hoses, fitting and mounting pins

※ Specifications contained in the catalogue may be changed without prior notice for improvement of quality and performance.

### Head Office & Factory

332-3, Janggwan-ri, Jincheon-eub, Chungcheongbuk-do, Korea  
Tel\_+82-43-530-3300 Fax\_+82-43-530-3429

### Sales & Marketing

Room #1203, Woolim Lion's Valley 2, 680, Gasan-Dong, Geumcheon-Gu, Seoul, Korea  
Tel\_+82-2-801-0800 Fax\_+82-2-801-0899



©EVERDIGM Corp. Printed in Korea